

SNRG
Block™ System

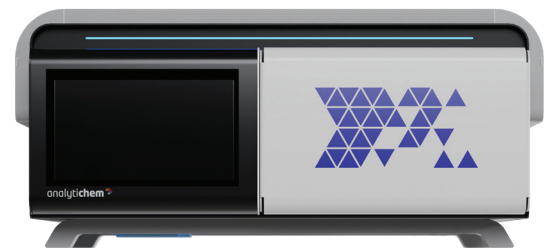


About AnalytiChem

AnalytiChem manufactures an extensive portfolio of specialized reference materials, culture media, laboratory consumables, and sample preparation equipment and operates with a focus on providing the right solutions to ensure our customers obtain the best results with the highest competitive quality.

Formed in 2021 through the combination of industry leaders, we utilize the expertise of our group companies to provide an integrated value proposition for our customers who operate in the material science, environmental, petroleum, animal health and chemical industries.

Leveraging our global operational hubs in North America, Europe, and Australia and our ISO 17034, ISO/IEC 17025, and ISO 9001 certifications, we Enable the Science that our customers do to improve operational efficiency, safeguard the environment, and support the global infrastructure.



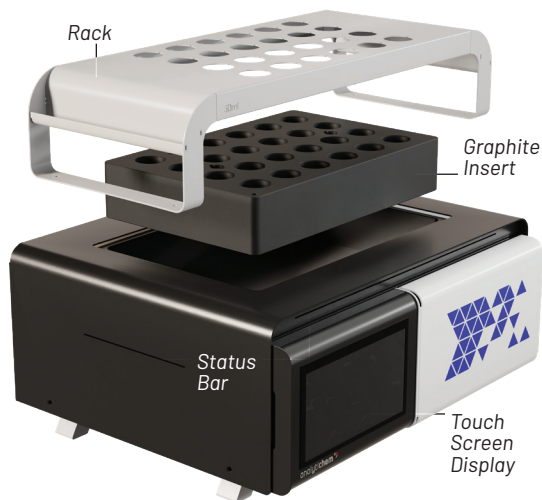


System Description

Synergy is more than a word. It's an environment. When synergy is the driver in your lab workflow, you can be confident in your data and efficient with your resources. Synergy in your lab enables accurate results.

The secret to achieving lasting synergy in the lab lies in pairing the optimal sample preparation with your instrumental analysis and deploying robust control through reference materials.

SNRG sample preparation equipment is your first line of defense - the entry point of your process ecosystem. SNRG is designed to adapt to your unique workflow, not the other way around. That means SNRG delivers reliable flexibility, and better control.





SNRG Sample Preparation

► Flexibility that delivers precision



Ordering Information

Base

Description	Detail	Part Number
System 1	Lower throughput (1 insert)	012-200-010
System 2	Medium to high throughput (2 inserts)	012-200-020

Includes base, controller and two insert removal tools.

Graphite Inserts

Description	Detail	Part Number
15 ml Insert	48 x 15 ml capacity	012-201-030
50 ml Insert	24 x 50 ml capacity	012-201-032
100 ml Insert	12 x 100 ml capacity	012-201-034

Coated solid graphite insert.

Power Cords

Description	Detail	Part Number
SNRG Line cord Type B, 250V	Suitable for North America and others	012-201-061
SNRG Line cord Type B, 125V	Suitable for North America and others	012-201-062
SNRG Line cord Type E & F, 250V	Suitable for Europe, South Korea and others	012-201-063
SNRG Line cord Type G, 250V	Suitable for UK and others	012-201-064
SNRG Line cord Type J, 250V	Suitable for Switzerland and others	012-201-065
SNRG Line cord Type L, 250V	Suitable for Italy and others	012-201-066
SNRG Line cord Type M, 250V	Suitable for India and others	012-201-067
SNRG Line cord Type N, 250V	Suitable for Brazil and others	012-201-068
SNRG Line Cord Type I, 250V	Suitable for Australia, New Zealand and others	012-201-069

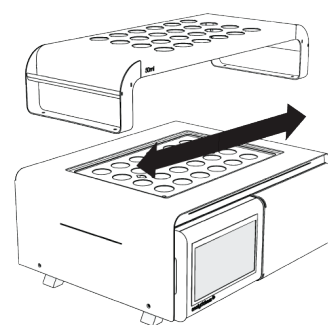
Wi-Fi Key

Only available in some markets. Contact us to learn more.

Accessories

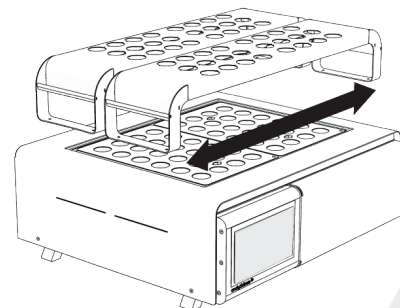
System 1 Tube Racks

Description	Detail	Part Number
15 ml Tube Rack - System 1	48 x 15 ml capacity	012-201-040
50 ml Tube Rack - System 1	24 x 50 ml capacity	012-201-042
100 ml Tube Rack - System 1	12 x 100 ml capacity	012-201-044



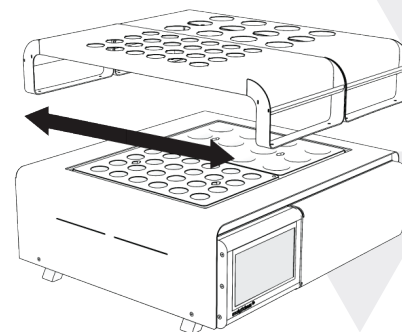
System 2 Tube Racks

Description	Detail	Part Number
15 ml Tube Rack	48 x 15 ml capacity	012-201-041
50 ml Tube Rack	24 x 50 ml capacity	012-201-043
100 ml Tube Rack	12 x 100 ml capacity	012-201-045



System 2 Tube Racks Alternate

Description	Detail	Part Number
15 ml Tube Rack	48 x 15 mL capacity	012-201-046
50 ml Tube Rack	24 x 50 ml capacity	012-201-047
100 ml Tube Rack	12 x 100 ml capacity	012-201-048



Temperature Sensor

Description	Detail	Part Number
Temperature Sensor	Optional external temperature probe	012-201-050
Sensor Holder, 15 ml	Suitable for use with 15 ml DigiTubes	012-201-051
Sensor Holder, 50 ml	Suitable for use with 50 ml DigiTubes	012-201-052
Sensor Holder, 100 ml	Suitable for use with 100 ml DigiTubes	012-201-053



Consumables

DigiTubes

DigiTubes are manufactured with ICP-MS Grade Polypropylene and include volume graduations that comply with Class A tolerances. Suitable for use with graphite digestion block systems for methods with sustained temperatures up to 95°C.

Bulk DigiTubes with RackLock

Description	Qty.	Part Number
15 ml with RackLock, blue caps	1620	010-515-261
15 ml with RackLock, no caps	1620	010-515-262
15 ml with RackLock, blue caps	540	010-515-361
50 ml with RackLock, blue caps	750	010-500-261
50 ml with RackLock, no caps	750	010-500-262
100 ml with RackLock, blue caps	300	010-501-261
100 ml with RackLock, no caps	300	010-501-262

Bulk DigiTubes without RackLock

Description	Qty.	Part Number
15 ml without RackLock, blue caps	1620	010-515-263
15 ml without RackLock, no caps	1620	010-515-264
15 ml without RackLock, no caps	540	010-515-363
50 ml without RackLock, blue caps	750	010-500-263
50 ml without RackLock, no caps	750	010-500-264
100 ml without RackLock, blue caps	300	010-501-263
100 ml without RackLock, no caps	300	010-501-264

Bulk Caps

Item	Description	Quantity	Part Number
Screw Caps	Screw Cap, Blue for 15 ml DigiTubes	540	010-515-060
	Screw Cap, Clear for 15 ml DigiTubes	540	010-515-172
Color Coded 50 ml Screw Caps	Blue Caps for 50 ml DigiTubes	250	010-500-060
	Yellow Caps for 50 ml DigiTubes	250	010-500-130
	Orange Caps for 50 ml DigiTubes	250	010-500-140
	Red Caps for 50 ml DigiTubes	250	010-500-150
	Clear Caps for 50 ml DigiTubes	250	010-500-172
Color Coded 100 ml Screw Caps	Blue Caps for 100 ml DigiTubes	100	010-501-060

Watch Glasses

Description	Qty.	Part Number
Disposable Polypropylene Watch Glasses, 50 ml	1000	010-500-081
Disposable Polypropylene Watch Glasses, 100 ml	500	010-501-081

Teflon® & Glass Digestion Tubes

Description	Qty.	Part Number
Teflon® Digestion Tube, 50 ml	6/pk	010-500-066
Teflon® Screw Cap for 50 ml Teflon® Tube	6/pk	010-500-166
Teflon® Digestion Tube, 100 ml	6/pk	010-501-084
Borosilicate Glass Tube 50 ml Flat Bottom (calibration at 10, 25, 30 and 50 ml)	6/pk	010-500-071
Borosilicate Glass Tube 50 ml (uncalibrated)	6/pk	010-500-077

Filtration

DigiFILTERs increase lab productivity by filtering particulates from digested samples in a matter of seconds. Available in 0.2, 0.45, 0.7, 1.0 and 10 µm porosity membranes. Choose the proper membrane type (Teflon®, Metrical, and glass fiber) for your application.

50 ml Format

Description	Qty.	Part Number
<i>DigiFILTER</i> , 0.2 µm Hydrophilic Teflon®	100	010-500-088
<i>DigiFILTER</i> , 0.45 µm Hydrophilic Teflon®	100	010-500-070
<i>DigiFILTER</i> , 1.0 µm Hydrophilic Teflon®	100	010-500-080
<i>DigiFILTER</i> , 10.0 µm Hydrophilic Teflon®	100	010-500-074
<i>DigiFILTER</i> , 0.45 µm High Purity Hydrophilic Teflon®	100	010-500-370
<i>DigiFILTER</i> , 1.0 µm High Purity Hydrophilic Teflon®	100	010-500-380
<i>DigiFILTER</i> , 0.45 µm Metrical	100	010-500-072
<i>DigiFILTER</i> , 0.45 µm Mixes Cellulose Estel	100	010-500-118
<i>DigiFILTER</i> , 0.7 µm Glass Fiber for TCLP	100	010-500-082
<i>DigiFILTER</i> Manifold, 4 position	1	010-500-234
<i>DigiFILTER</i> Manifold, 12 position	1	010-500-230

100 ml Format

Description	Qty.	Part Number
<i>DigiFILTER</i> , 0.2 µm Hydrophilic Teflon®	50	010-501-088
<i>DigiFILTER</i> , 0.45 µm Hydrophilic Teflon®	50	010-501-070
<i>DigiFILTER</i> , 1 µm Hydrophilic Teflon®	50	010-501-080
<i>DigiFILTER</i> , 10 µm Hydrophilic Teflon®	50	010-501-074
<i>DigiFILTER</i> , 0.45 µm High Purity Hydrophilic Teflon®	50	010-501-370
<i>DigiFILTER</i> , 1 µm High Purity Hydrophilic Teflon®	50	010-501-380
<i>DigiFILTER</i> , 0.7 µm Glass Fiber for TCLP	50	010-501-082
<i>DigiFILTER</i> , Manifold, 4 position	1	010-501-234
<i>DigiFILTER</i> , Manifold, 12 position	1	010-501-238

